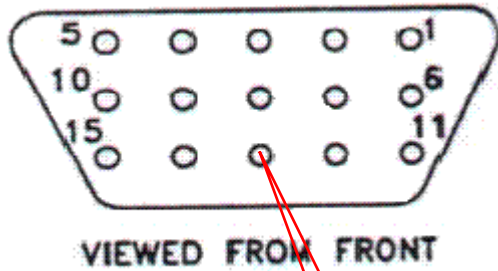


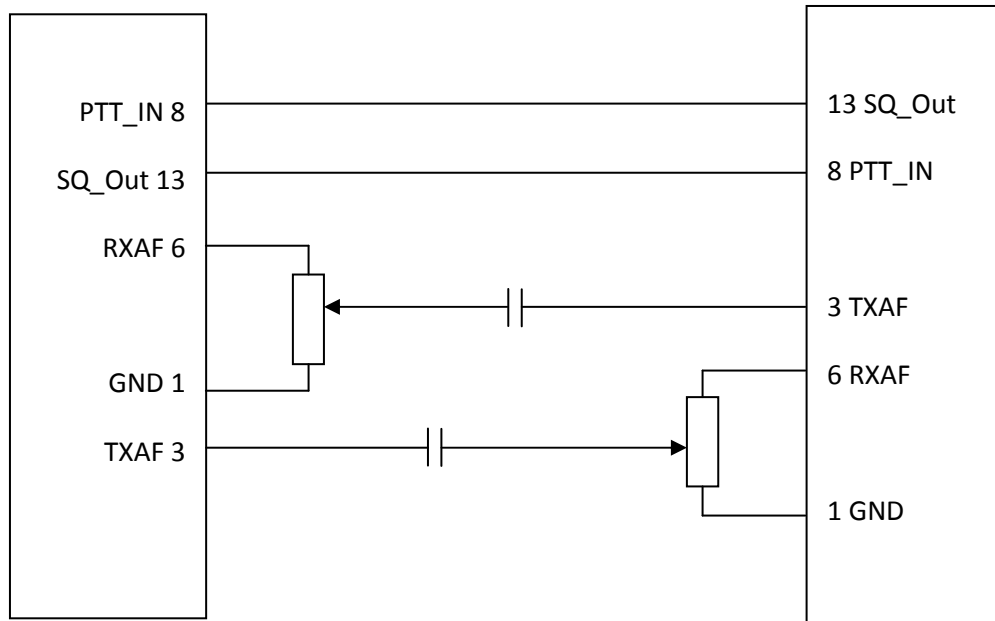
# FM1100 repeater interface - Mic Con

The front panel signals from the MIC connector are



Pin	Original Signal	New Signal	Rewire Source
1	TX AF Gnd		
2	Mic Screen		
3	TX AF		
4	Strobe		
5	Power Gnd		
6	RX AF		
7	Vol Volts In 0-5v		
8	PTT Low Tx		
9	Data		
10	Programming RX data		
11	Batt + Out		
12	On = Gnd		
13	On Hook	Sq Out. Low-Squelch Open	Sq led driver
14	Clock		
15	Programming TX data		

## Crossband repeater, radios with the Button and LED, (Basic Console) panel.



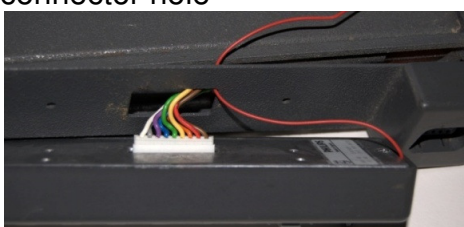
1. Remove the front panel from the radio. Remove the display section from the backplate. Remove the diecast section from the plastic cover. Unscrew the circuit board from the diecast backplate. Unscrew/remove the plastic LED cover.
2. Connect a thin wire to the LED drive signal for the 'Busy' LED. Run the wire under the volume control



3. Refit the LED cover. Refit the circuit board to the diecast backplate
4. Refit the diecast backplate to the plastic cover



5. refit the display unit to the backplate and run the wire through the interface connector hole



- solder the other end of the new wire to pin 13 of the microphone connector



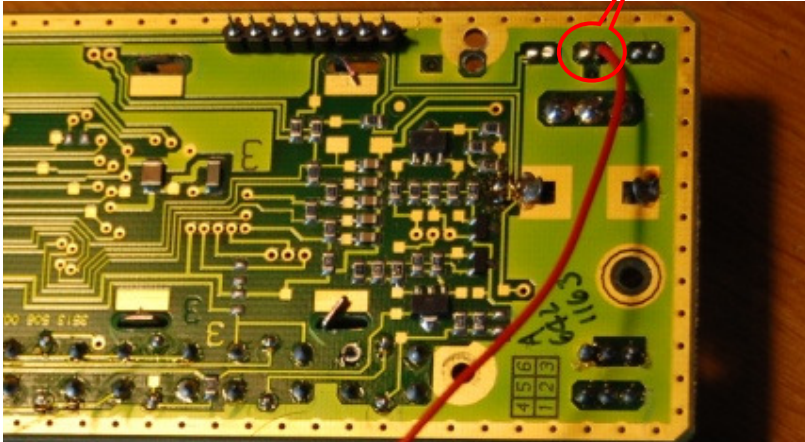
- Cut the On-hook track on the analog board.



- refit the assembly to the radio

## For radios with an LCD front panel

Connect a thin wire to the Squelch LED drive signal.



Reroute the remainder of the wire following steps 4 onwards from the section above.

**For radios without a front panel:**

To connect CTCSS Out to pin13, open up the radio and run a wire from

To make the volume control work fit a 1k potentiometer top to 5V, bottom to Gnd, wiper to pin 7.

To make the 5v for the volume control power a 5v regulator from Batt+ and Gnd. The output goes to the top of the volume pot.